

IP54 : Suitable for Wet Locations  
 IK07 : Impact Resistant (Vandal Resistant)

## UTR-96065

### Triangle 6 double large streetlight type II

A large size triangle design street light luminaire using metal halide lamps or high pressure sodium lamps 70-150w. A high quality cut-off reflector design creates broad spread light distribution. Designed for lighting of private roadways, modern street suburbs and city centers.

Aluminum frame and body. Stainless steel screws and hardware. Durable silicone rubber gasket and impact resistant toughened glass diffuser with hinged aluminum frame for in-position lamp replacement. The luminaire is treated with a chemical chromated protection before powder coating, ensuring high corrosion resistance. Integral control gear. Anodized high purity aluminum reflector.

#### Physical Data

Length: 64.7"  
 Height: 26.0"  
 Weight: 78.7 lbs

#### Lamp

HPS-ED18 2x250w

(For More Lamp options including LED, please Consult the Catalogue, Website or Contact The Ligman Lighting Factory)

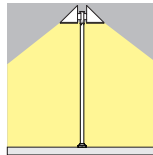
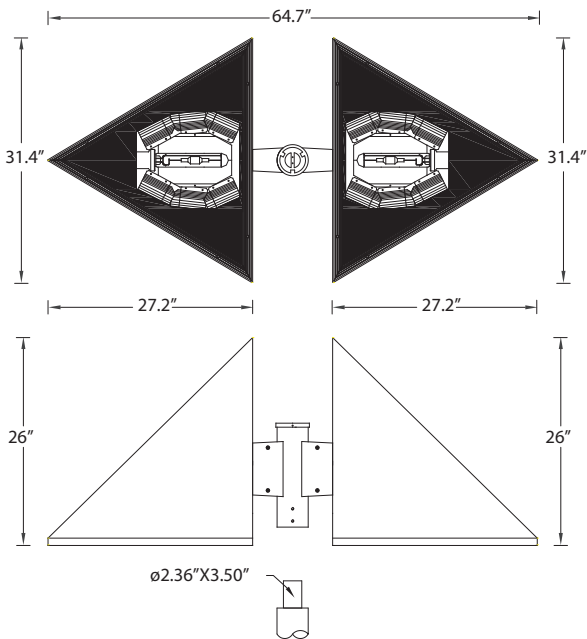
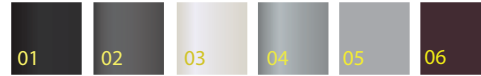
#### Voltage (Please Specify)

120V  
 277V  
 Other \_\_\_\_\_

#### Options (Please Specify)

##### Color (Please Specify)

01-Black - RAL 9011       02- Dark Grey - RAL 7043  
 03-White - RAL 9003       04 - Metallic Silver - RAL 9006  
 05-Matt Silver - RAL 9006       07- Custom - RAL \_\_\_\_\_  
 06-Bronze - RAL 6014



Ordering Example : UTR - 96065 - HPS-2x250w - 120v - Options



Rev: 11/13

PROJECT: \_\_\_\_\_ DATE: \_\_\_\_\_

TYPE: \_\_\_\_\_ QUANTITY: \_\_\_\_\_ NOTE: \_\_\_\_\_

Ligman Lighting USA reserves the right to change specifications without prior notice, please contact factory for latest information. Due to the continual improvements in LED technology data and components may change without notice.

